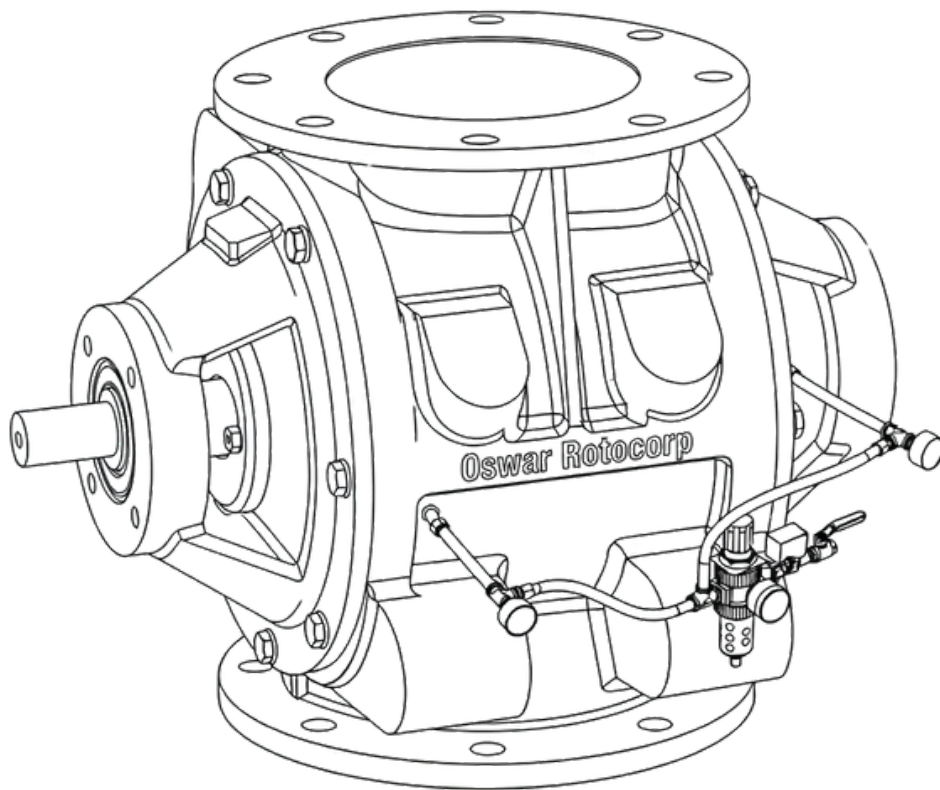


ROTARY VALVE

THE INDUSTRIAL STANDARD IN ROTARY
AIRLOCK PERFORMANCE



OSWAR
rotocorp

RAL SERIES – INDUSTRIAL ROTARY AIRLOCK SYSTEMS

The RAL Series represents the core industrial product line of Oswar Rotocorp, engineered to deliver consistent volumetric control, operational reliability, and extended service life in demanding environments.

Designed for continuous-duty performance, the RAL Series is optimized for applications involving dust collection systems, pneumatic conveying, silos, cyclones, and bulk material discharge points. Its heavy-duty construction and precision-machined components ensure stable operation under high temperature, abrasive, and high-capacity conditions.

KEY FEATURES

HIGH-CAPACITY
DESIGN
CONFIGURATION

HEAVY-DUTY
INDUSTRIAL
CONSTRUCTION

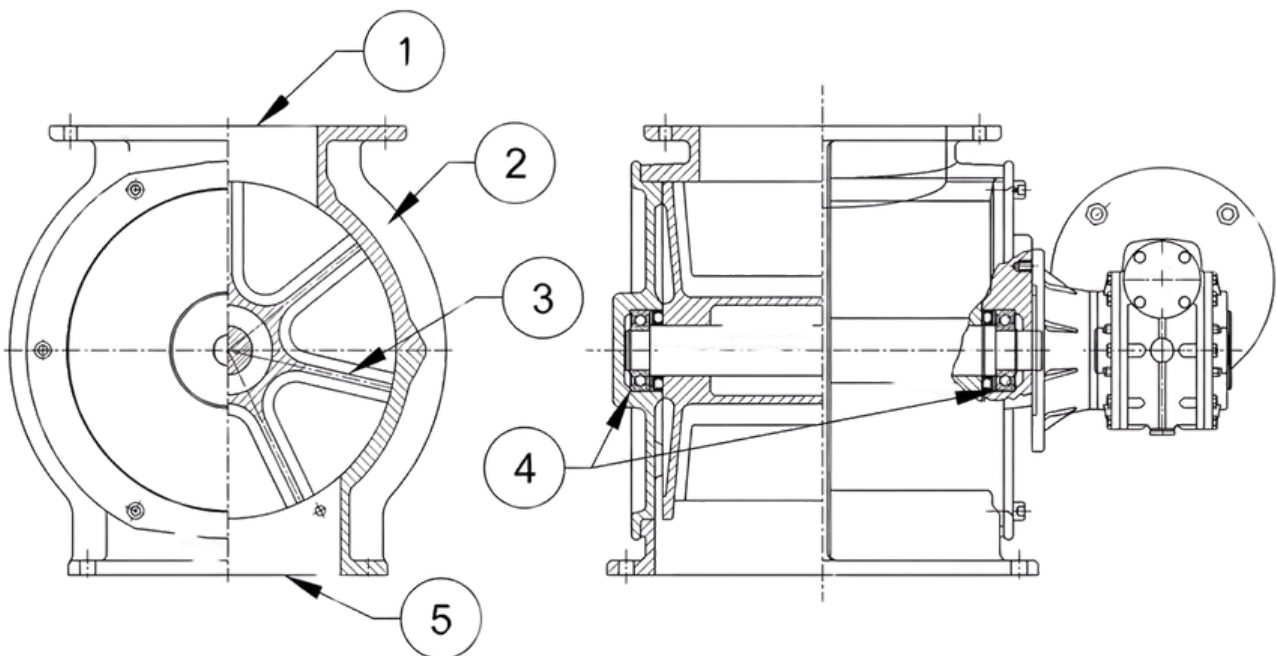
LOW AIR-LEAKAGE
PERFORMANCE

EXTENDED
SERVICE LIFE &
REDUCED
MAINTENANCE

ENGINEERED FOR PRECISION & DURABILITY

The RAL Series is developed with strict dimensional control and precision CNC machining to ensure optimal rotor-to-housing clearances and stable volumetric efficiency.

Each valve is engineered to deliver consistent material discharge while maintaining airlock integrity across varying pressure differentials. The rotor geometry is optimized for smooth material flow, reducing jamming risks and minimizing wear.

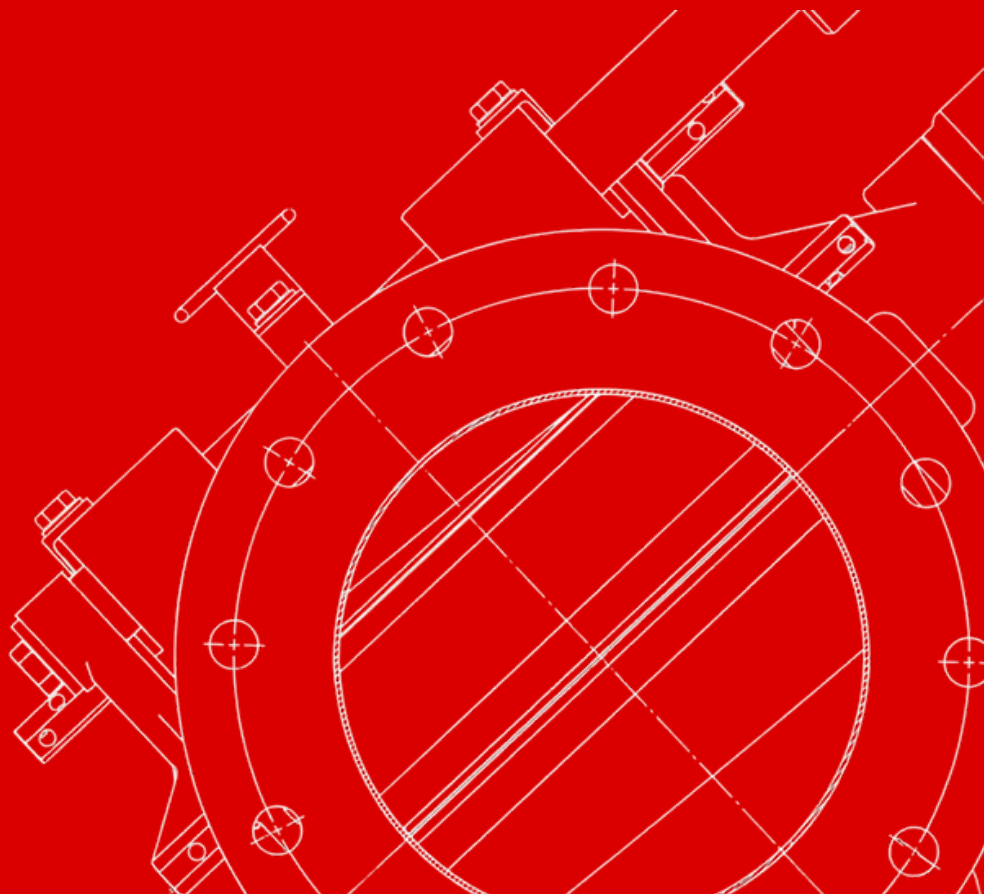


MANUFACTURING & QUALITY

- Precision CNC machined housing
- Controlled rotor clearances for volumetric accuracy
- Advanced wear-resistant coatings
- Outboard bearing protection system
- Optimized sealing geometry to minimize air loss

APPLICATIONS & INDUSTRIAL COVERAGE

- **Cement Manufacturing**
- **Power Generation Plants**
- **Fertilizer & Chemical Industries**
- **Steel & Lime Production**
- **Mining & Mineral Processing**
- **Sugar & Bio-Energy Plants**
- **Ceramics & Glass**
- **Food & Pharmaceutical Processing**



OSWAR

rotocorp

Corporate Office

Jaipur, Rajasthan India
Nagpur, Maharashtra India

Sales Inquiries

info@oswarrotocorp.com

Helpline

+44 7917 128505 | +91 77422 36474

Copyright © 2026 OSWAR ROTOCORP. All Rights Reserved. OSWAR® is a registered trademark of **OSWAR ROTOCORP**. This brochure makes no offers, representations or warranties (express or implied), and information and data contained in this brochure are for general reference only and may change at any time.